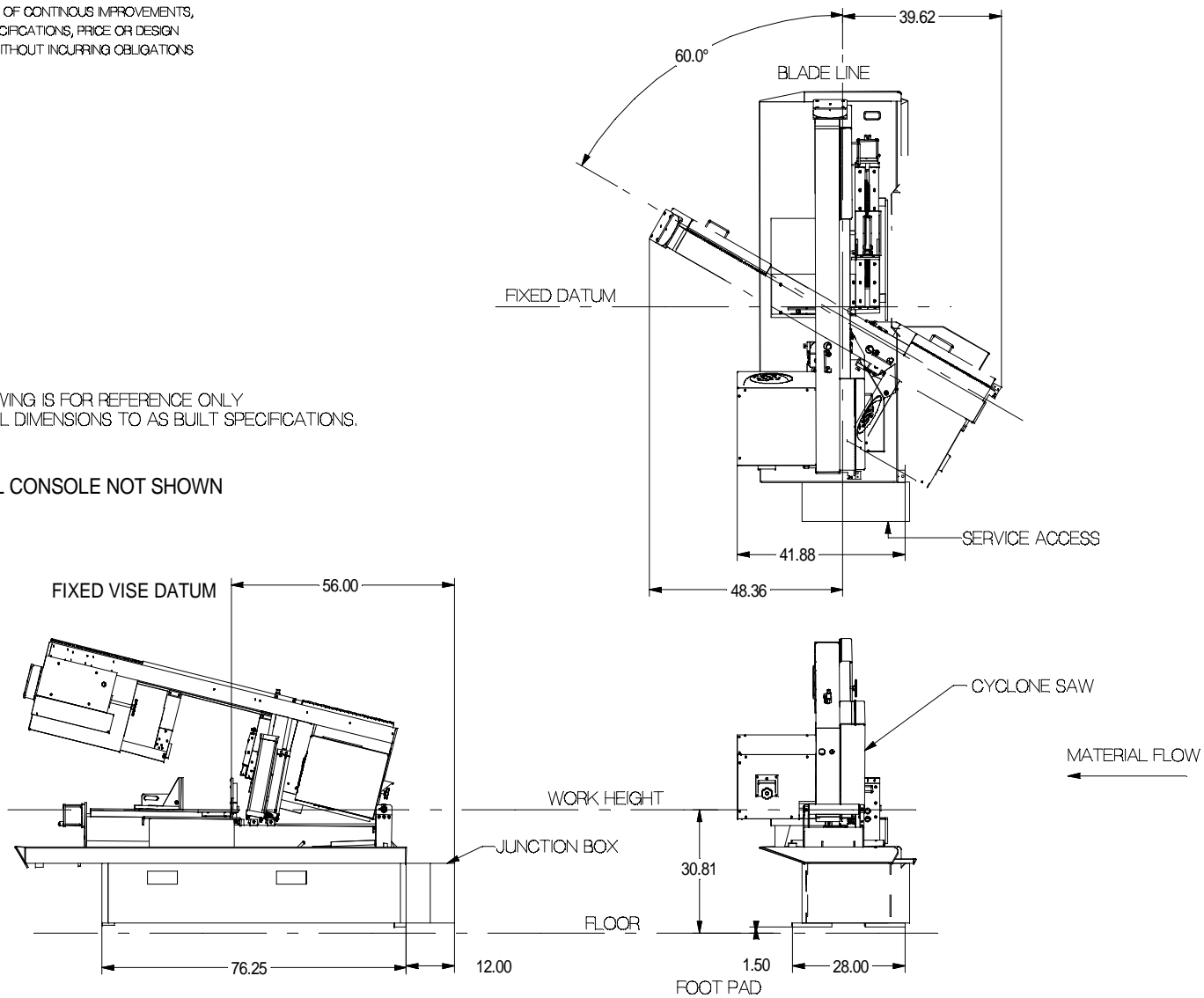


NOTE: HEM INC. WHOSE POLICY IS ONE OF CONTINUOUS IMPROVEMENTS, RESERVES THE RIGHT TO CHANGE SPECIFICATIONS, PRICE OR DESIGN AT ANY TIME WITHOUT NOTICE AND WITHOUT INCURRING OBLIGATIONS ALL DIMENSIONS +/- 1.00"

NOTE:  
THIS DRAWING IS FOR REFERENCE ONLY  
VERIFY ALL DIMENSIONS TO AS BUILT SPECIFICATIONS.

CONTROL CONSOLE NOT SHOWN



REV. B ADDED DIMENSIONS

2003 COPYRIGHT HEM Inc. All rights reserved. No part of this document may be copied without written permission.

<b>HEM</b> ,INC.	
MID-AMERICA INDUSTRIAL DISTRICT	
P.O. BOX 1148 PRYOR, OK 74361	
DATE 01/03	H0013297
CYCLONE LAYOUT	
B-006516-408	B