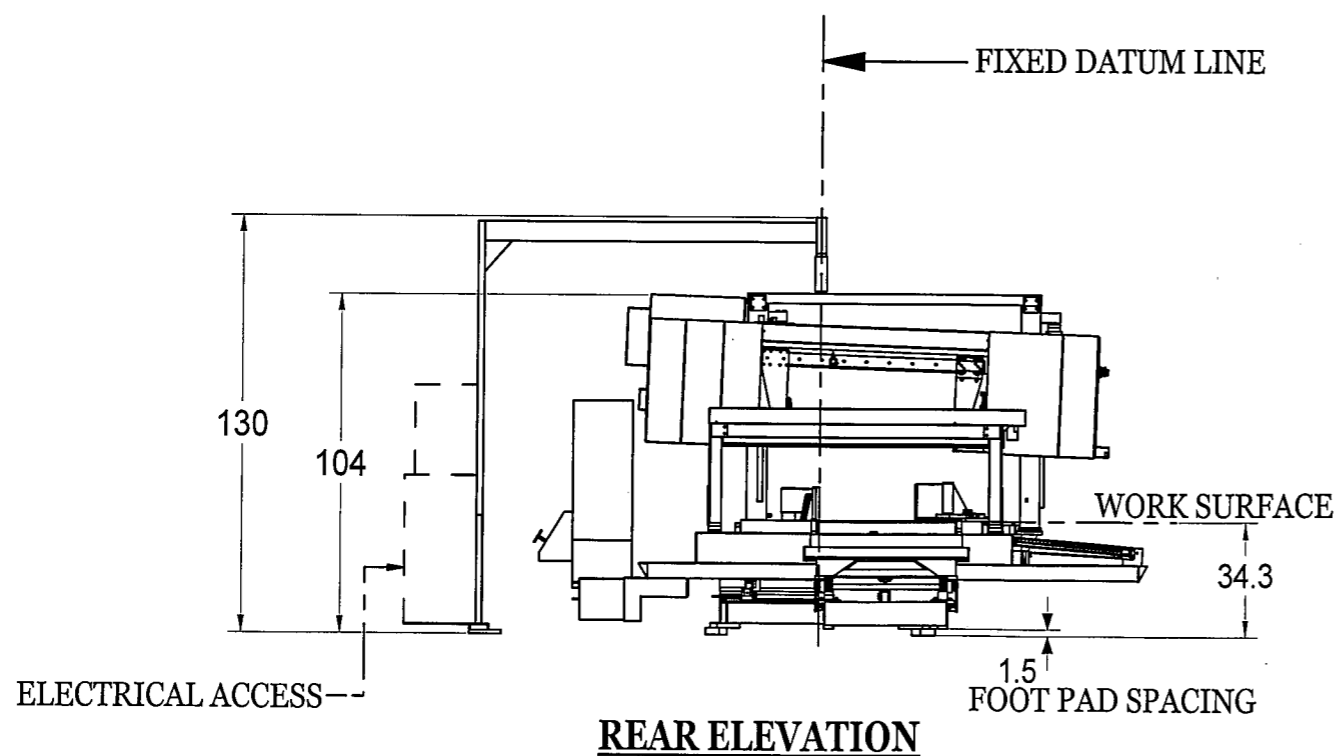


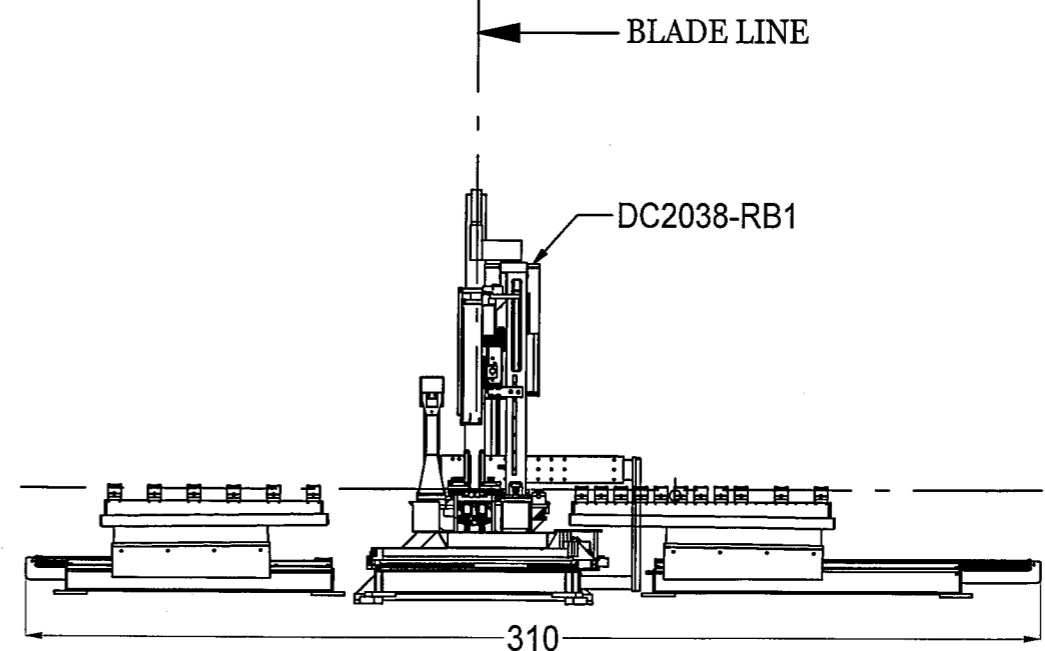
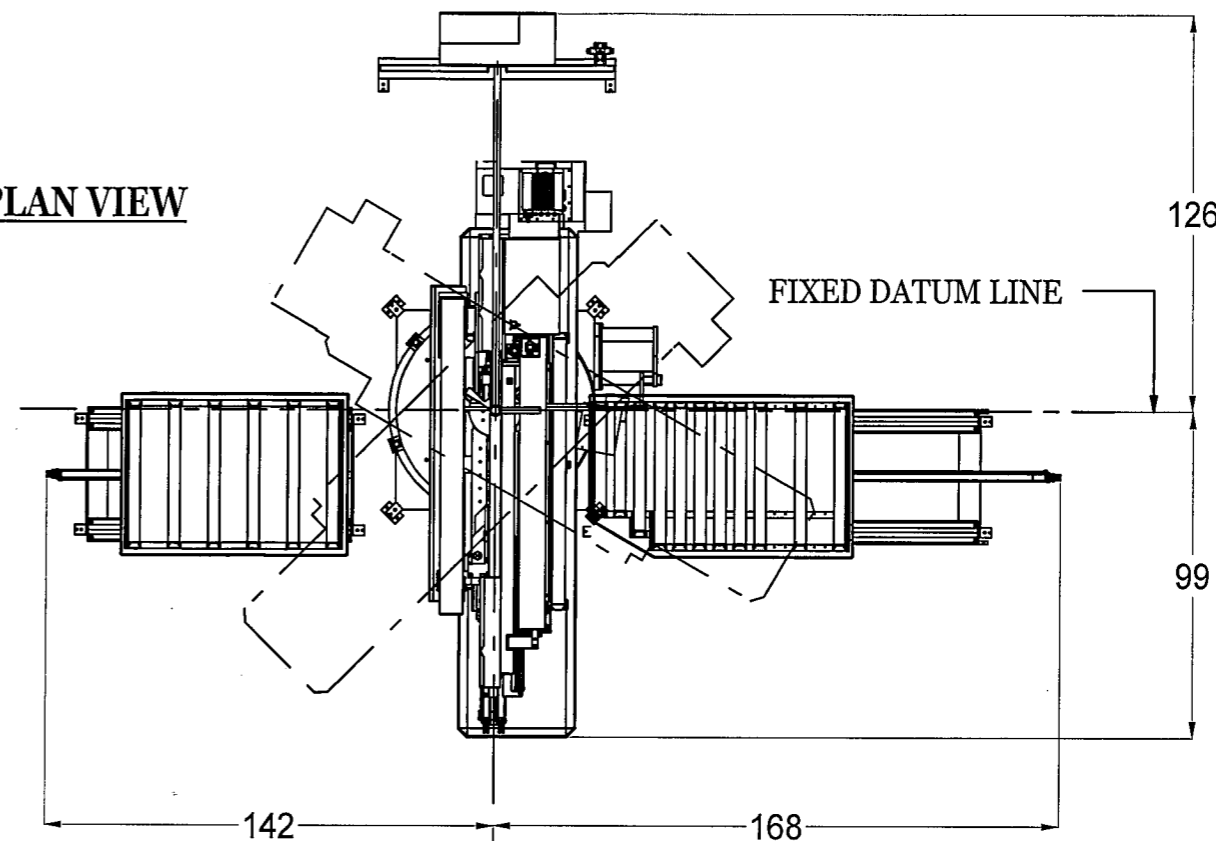
NOTE: HEM INC. WHOSE POLICY IS ONE OF CONTINUOUS IMPROVEMENTS,
RESERVES THE RIGHT TO CHANGE SPECIFICATIONS, PRICE OR DESIGN
AT ANY TIME WITHOUT NOTICE AND WITHOUT INCURRING OBLIGATIONS
ALL DIMENSIONS +/- 1.00"

ALL DIMENSIONS ARE REFERENCE ONLY.
VERIFY ALL DIMENSIONS TO 'AS BUILT'
CONFIGURATION.

MATERIAL FLOW →



PLAN VIEW



HEM INC.	
MID-AMERICA INDUSTRIAL DISTRICT	
P.O. BOX 1148 PRYOR, OK 74361	
H0014232	LAYOUT
DC2038-RB WITH TABLES	
B-006516-516 A	