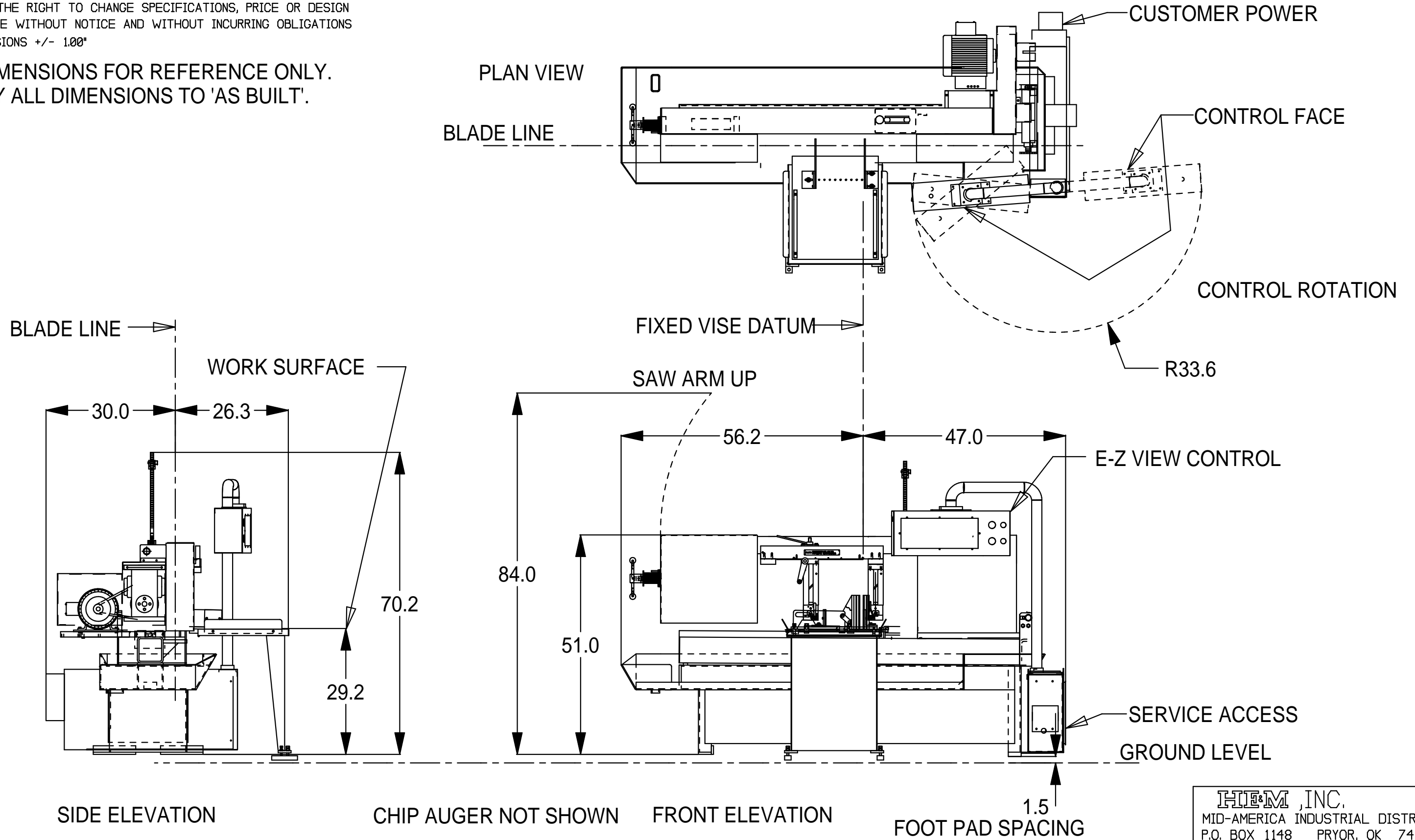


NOTE: HEM INC. WHOSE POLICY IS ONE OF CONTINUOUS IMPROVEMENTS, RESERVES THE RIGHT TO CHANGE SPECIFICATIONS, PRICE OR DESIGN AT ANY TIME WITHOUT NOTICE AND WITHOUT INCURRING OBLIGATIONS  
ALL DIMENSIONS +/- 1.00"

ALL DIMENSIONS FOR REFERENCE ONLY.  
VERIFY ALL DIMENSIONS TO 'AS BUILT'.



SIDE ELEVATION

CHIP AUGER NOT SHOWN

FRONT ELEVATION

FOOT PAD SPACING

HEM, INC.	
MID-AMERICA INDUSTRIAL DISTRICT	
P.O. BOX 1148 PRYOR, OK 74361	
H0014528	SHEET 1 OF 1
H105M WITH E-Z VIEW CONTROL	
B-006516-523 A	