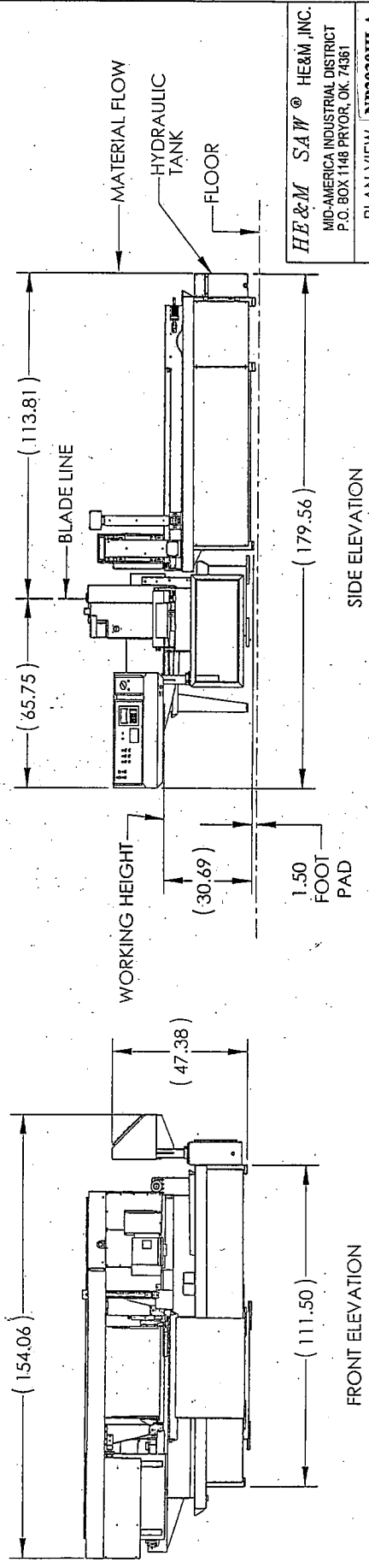


NOTE: HEM INC. WHOSE POLICY IS ONE OF CONTINUOUS IMPROVEMENTS, RESERVES THE RIGHT TO CHANGE SPECIFICATIONS, PRICE OR DESIGN AT ANY TIME WITHOUT NOTICE AND WITHOUT INCURRING OBLIGATIONS. ALL DIMENSIONS ARE ± 1.00"

NOTE: DIMENSIONS ARE FOR REFERENCE ONLY. VERIFY ALL DIMENSIONS TO AS BUILT SPECIFICATIONS.

Estimated 60" Raised Arm Height



HEM SAW® HEM INC.
 MID-AMERICA INDUSTRIAL DISTRICT
 P.O. BOX 1148 PRYOR, OK. 74981
 PLAN VIEW NP2030HLA
 B-006516-437 A