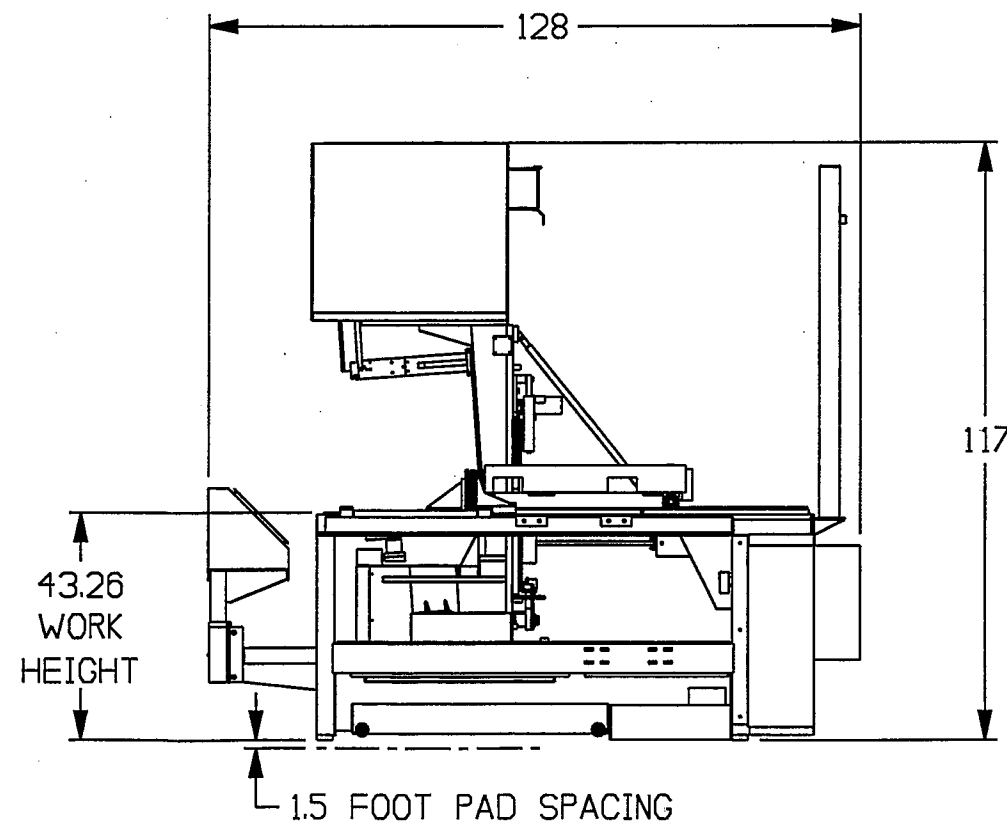
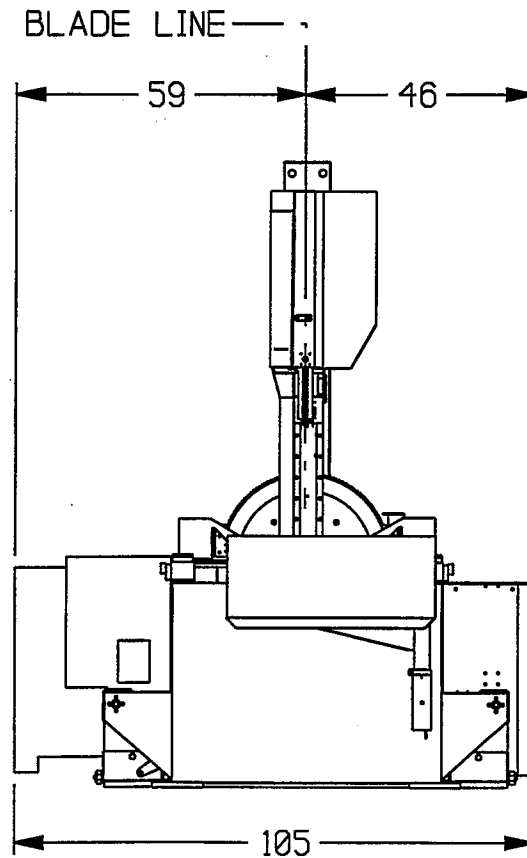
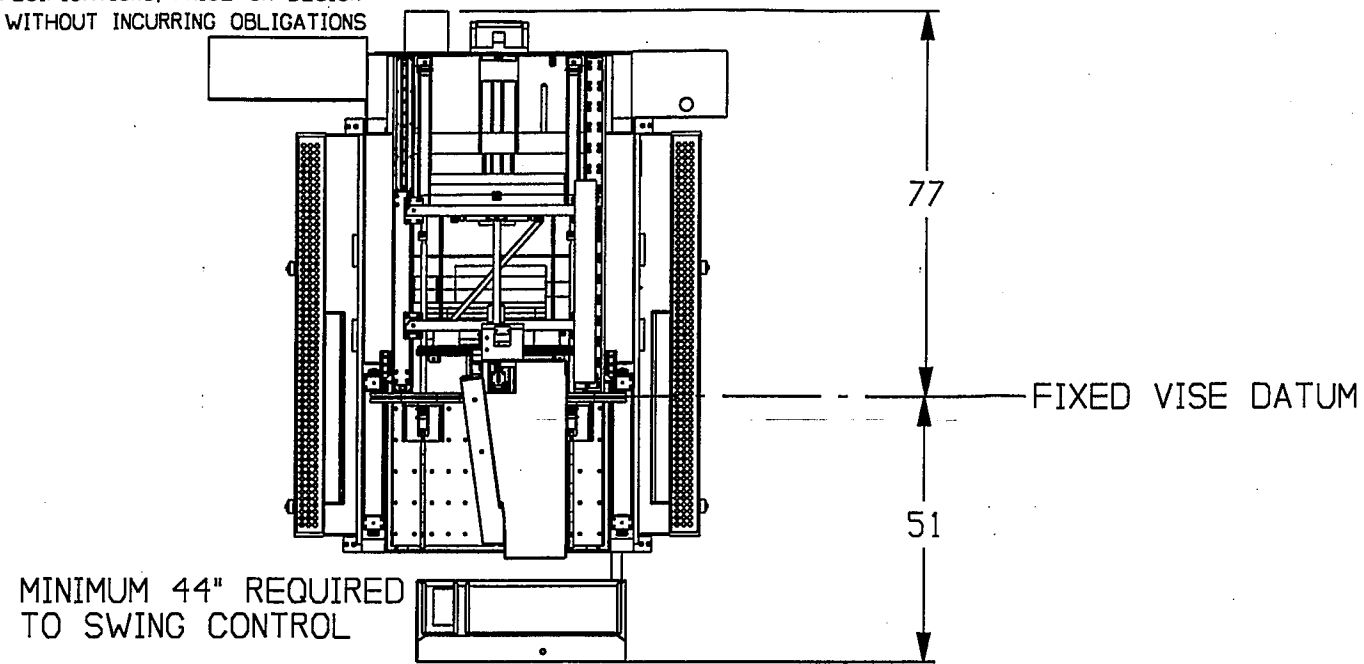


NOTE: HEM INC. WHOSE POLICY IS ONE OF CONTINUOUS IMPROVEMENTS,  
RESERVES THE RIGHT TO CHANGE SPECIFICATIONS, PRICE OR DESIGN  
AT ANY TIME WITHOUT NOTICE AND WITHOUT INCURRING OBLIGATIONS  
ALL DIMENSIONS +/- .100"

NOTE:  
ALL DIMENSIONS ARE  
FOR REFERENCE ONLY.  
VERIFY ALL DIMENSIONS  
TO AS BUILT SPECIFICATIONS.



<b>HEM</b> , INC.	
MID-AMERICA INDUSTRIAL DISTRICT	
P.O. BOX 1148 PRYOR, OK 74361	
H0014059	VT130-60°
LAYOUT	
B-006516-393 C	

C: ADDED COMPONENTS DRAWN TO FCAD  
B: ADDED DIMENSIONS & NOTE  
A: RELEASED

2005 COPYRIGHT HEM Inc. All rights reserved. No part of this document may be copied without written permission.