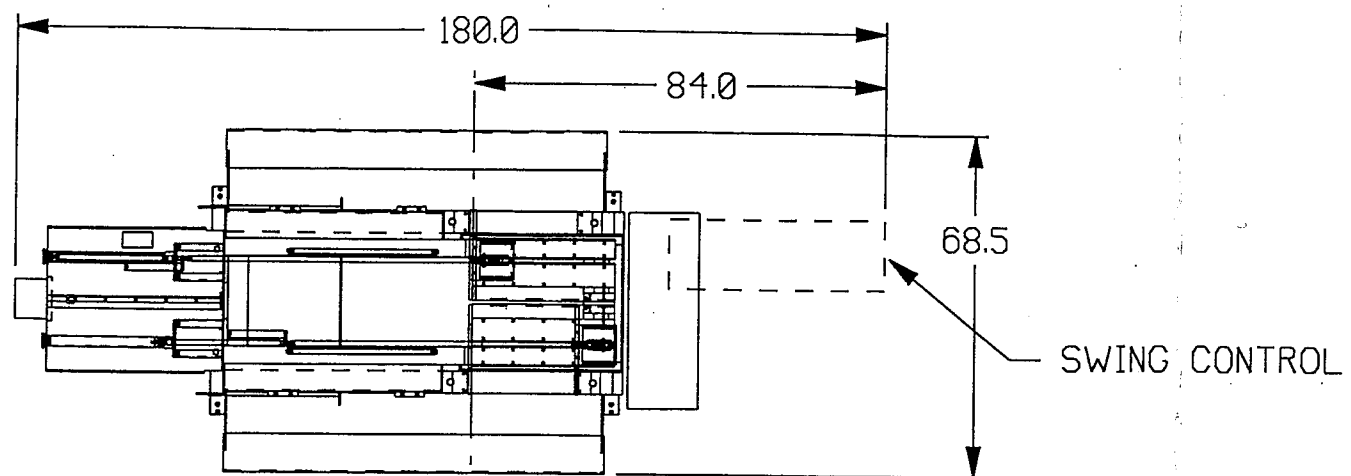
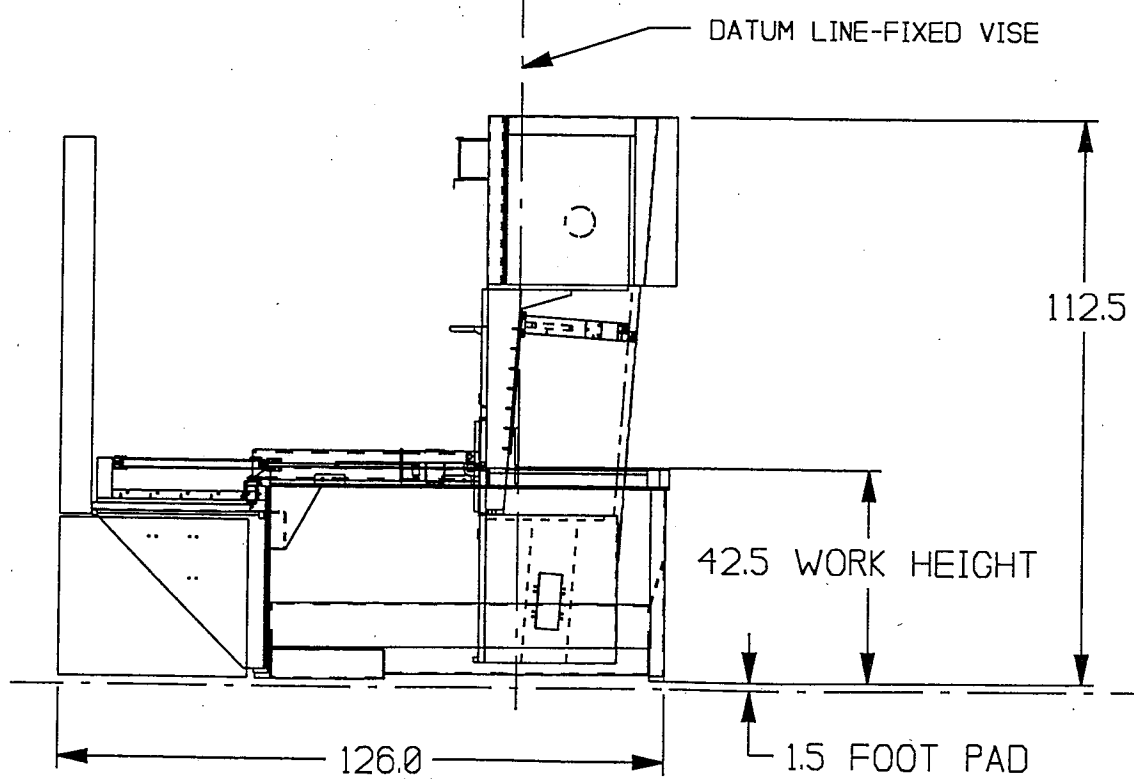


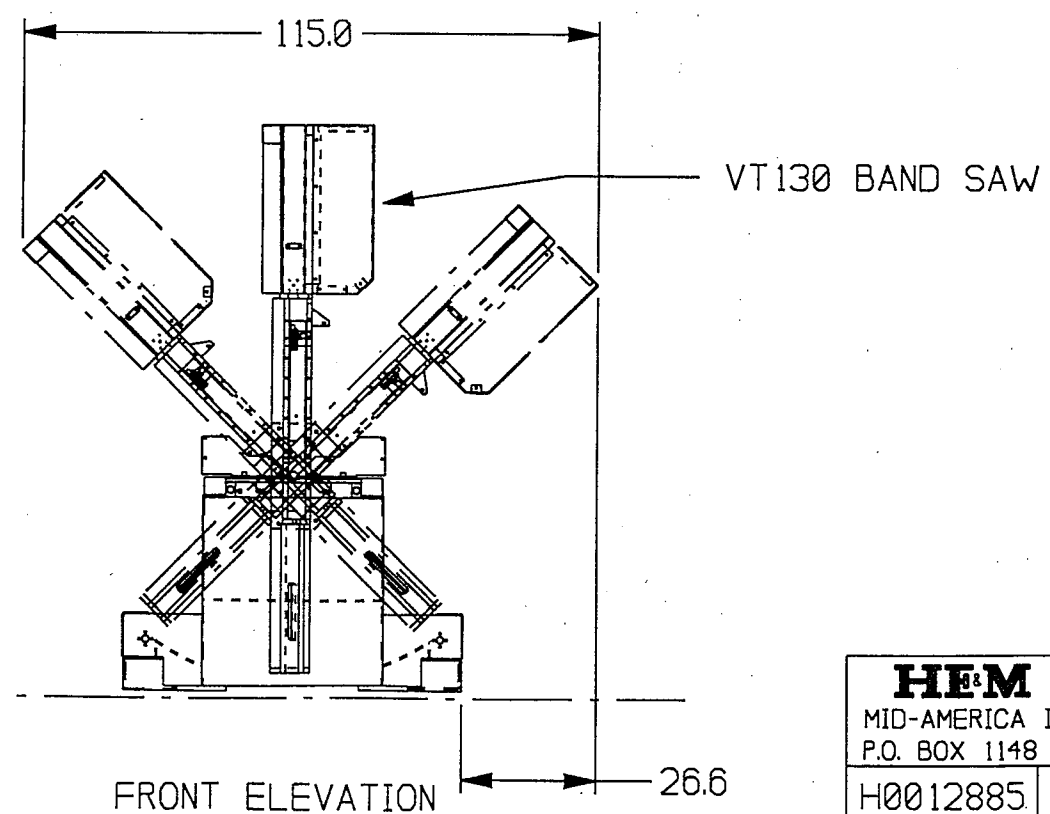
NOTE: HEM INC. WHOSE POLICY IS ONE OF CONTINUOUS IMPROVEMENTS,
RESERVES THE RIGHT TO CHANGE SPECIFICATIONS, PRICE OR DESIGN
AT ANY TIME WITHOUT NOTICE AND WITHOUT INCURRING OBLIGATIONS
ALL DIMENSIONS +/- .100"



PLAN VIEW



SIDE ELEVATION



REV. 'B' ADDED SWING CONTROL

2001 COPYRIGHT HEM Inc. All rights reserved. No part of this document may be copied without written permission.

HEM , INC.	
MID-AMERICA INDUSTRIAL DISTRICT	
P.O. BOX 1148 PRYOR, OK 74361	
H0012885	PLAN VIEW
VT130HM VERTICAL BAND SAW	
B-006516-356	A