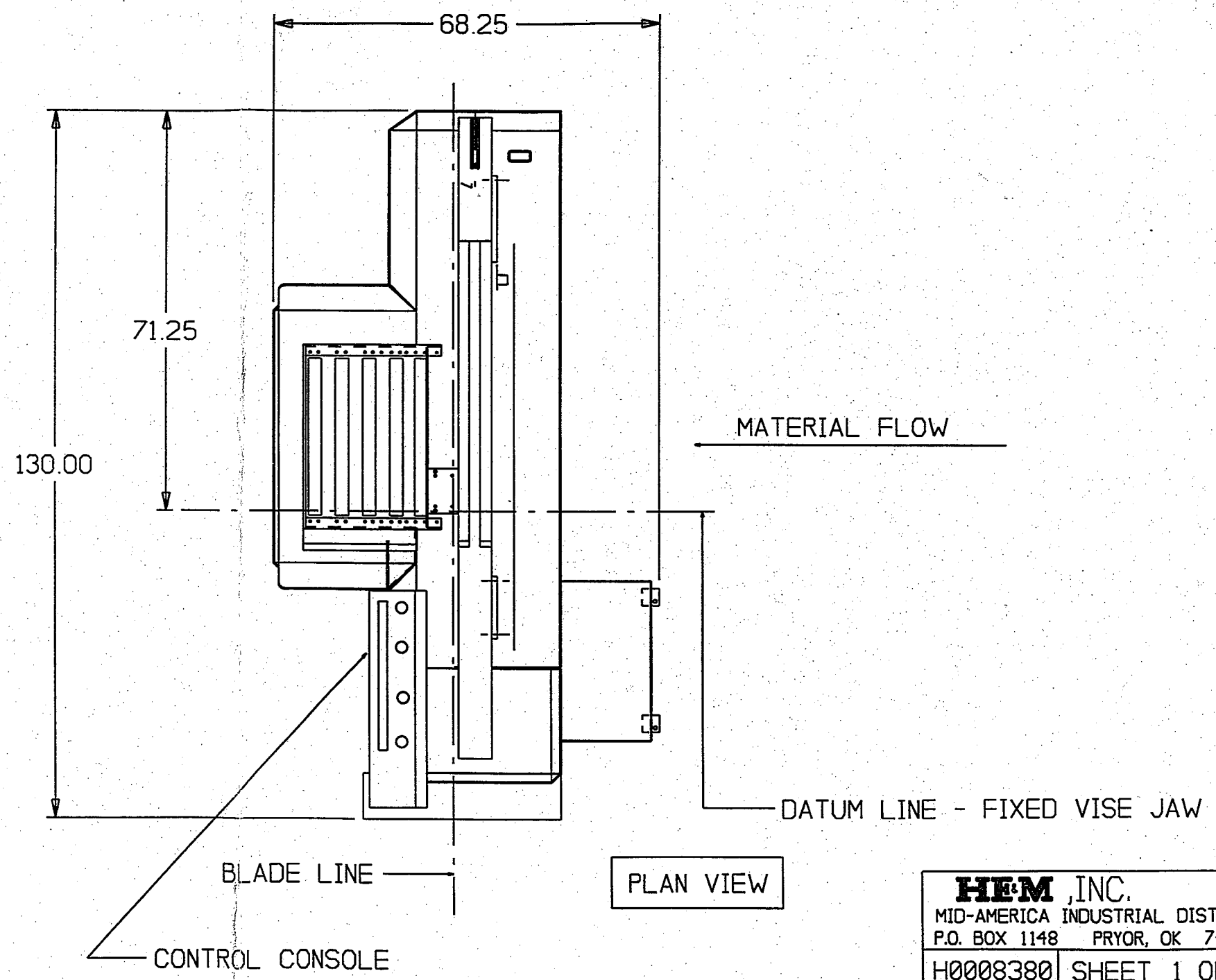
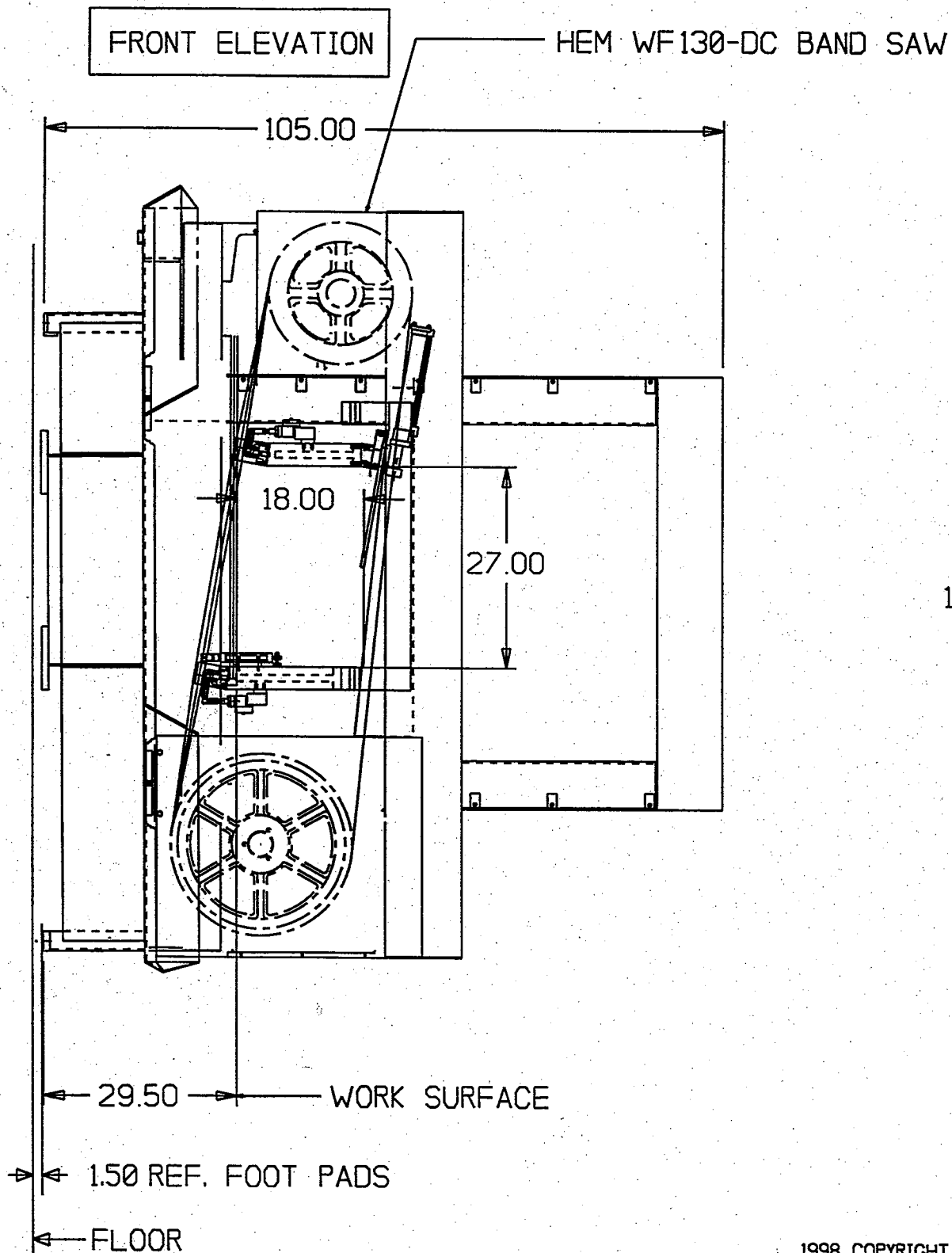


NOTE: HEM INC. WHOSE POLICY IS ONE OF CONTINUOUS IMPROVEMENTS, RESERVES THE RIGHT TO CHANGE SPECIFICATIONS, PRICE OR DESIGN AT ANY TIME WITHOUT NOTICE AND WITHOUT INCURRING OBLIGATIONS ALL DIMENSIONS +/- .100"



|                                 |              |
|---------------------------------|--------------|
| <b>HEM</b> , INC.               |              |
| MID-AMERICA INDUSTRIAL DISTRICT |              |
| P.O. BOX 1148 PRYOR, OK 74361   |              |
| H0008380                        | SHEET 1 OF 1 |
| WF-130 MANUAL D.C.              |              |
| B-006516-281                    | A            |