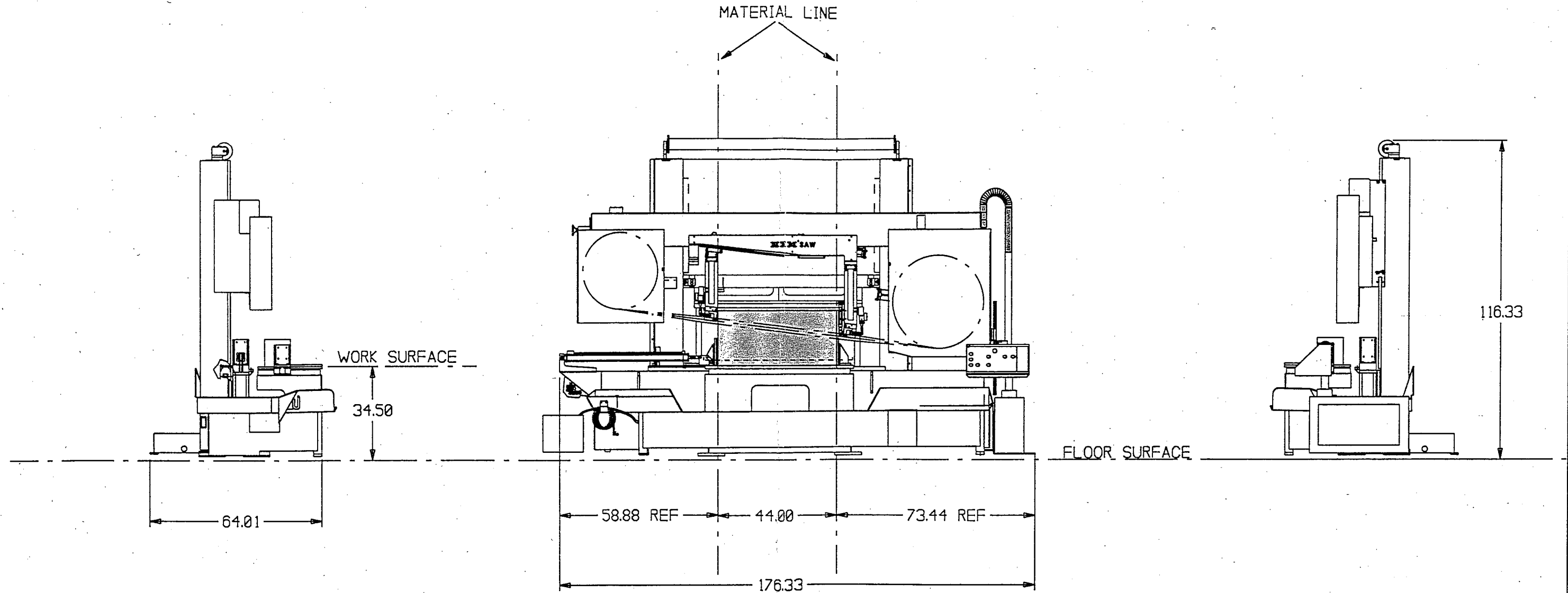


NOTE: HEM INC. WHOSE POLICY IS ONE OF CONTINUOUS IMPROVEMENTS,
 RESERVES THE RIGHT TO CHANGE SPECIFICATIONS, PRICE OR DESIGN
 AT ANY TIME WITHOUT NOTICE AND WITHOUT INCURRING OBLIGATIONS
 ALL DIMENSIONS +/- .100"

SPECIFICATIONS:

- 44" X 20" CAPACITY
- 2" BLADE @ 7° ANGLE
- 15HP DRIVE MOTOR
- BLADE LENGTH = 28"
- 28.00" DRIVE WHEEL
- 34.00" IDLE WHEEL
- TOP CLAMP WITH LIFT-UP ROLLER



HEM, INC.	
MID-AMERICA INDUSTRIAL DISTRICT	
P.O. BOX 1148 PRYOR, OK 74361	
H0011992	5/16/2000
SAW DIMENSIONS WF-140	
B-006516-334	A