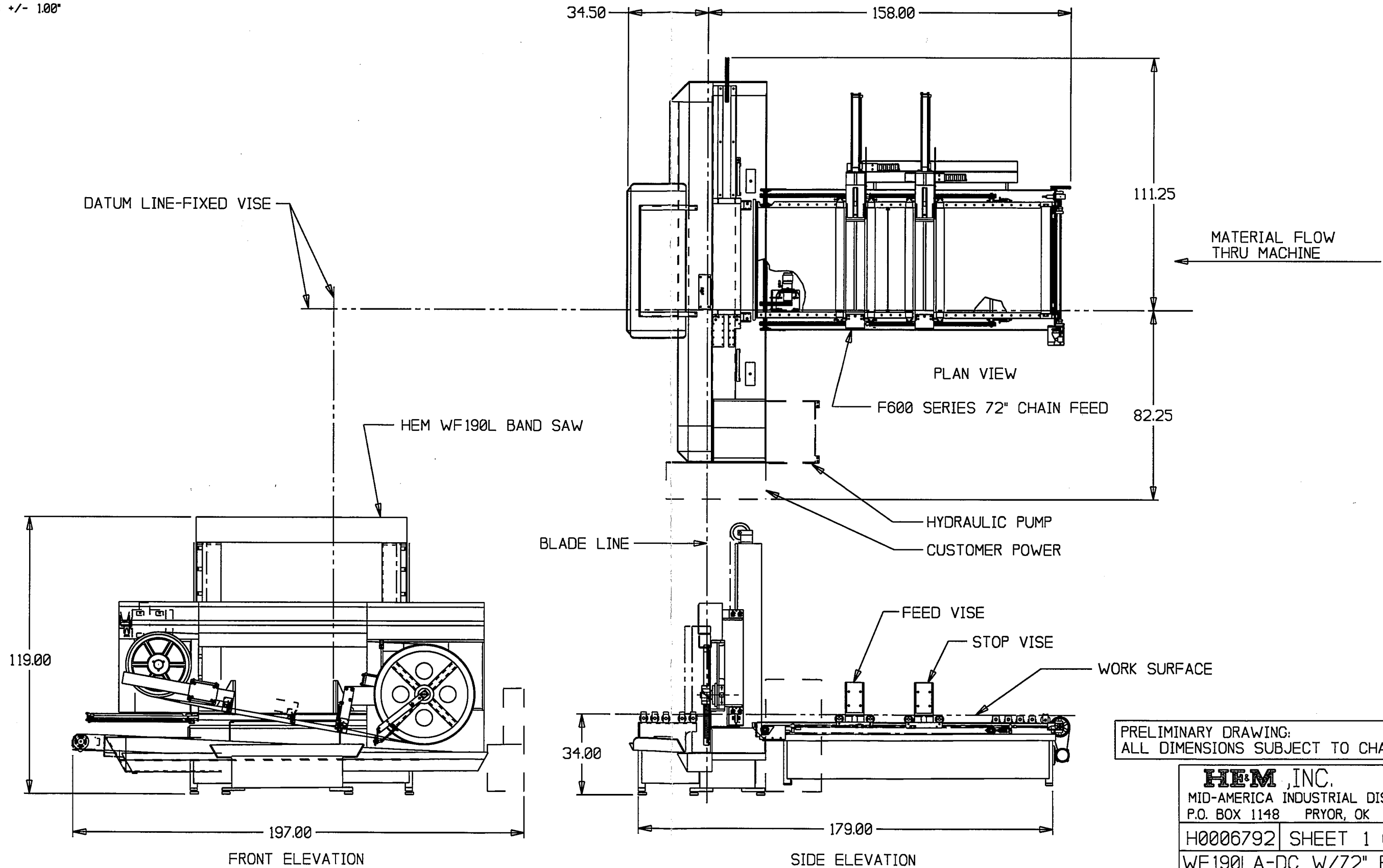


NOTE: HEM INC. WHOSE POLICY IS ONE OF CONTINUOUS IMPROVEMENTS,  
RESERVES THE RIGHT TO CHANGE SPECIFICATIONS, PRICE OR DESIGN  
AT ANY TIME WITHOUT NOTICE AND WITHOUT INCURRING OBLIGATIONS  
ALL DIMENSIONS +/- 1.00"



PRELIMINARY DRAWING:  
ALL DIMENSIONS SUBJECT TO CHANGE

**HEM, INC.**  
MID-AMERICA INDUSTRIAL DISTRICT  
P.O. BOX 1148 PRYOR, OK 74361  
H0006792 SHEET 1 OF 1  
WF190LA-DC W/72" FEED  
B-006516-221 A