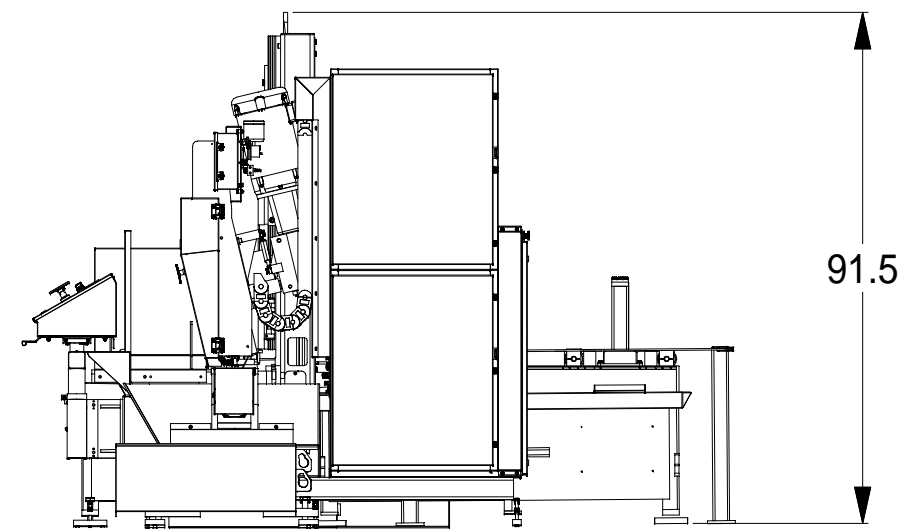
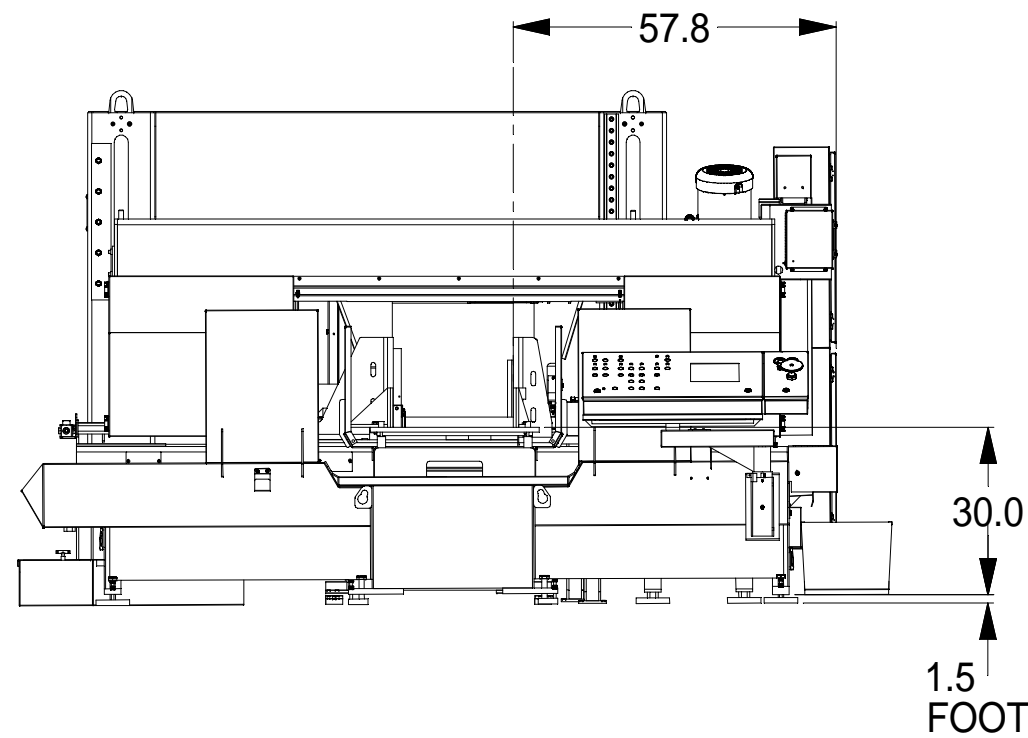
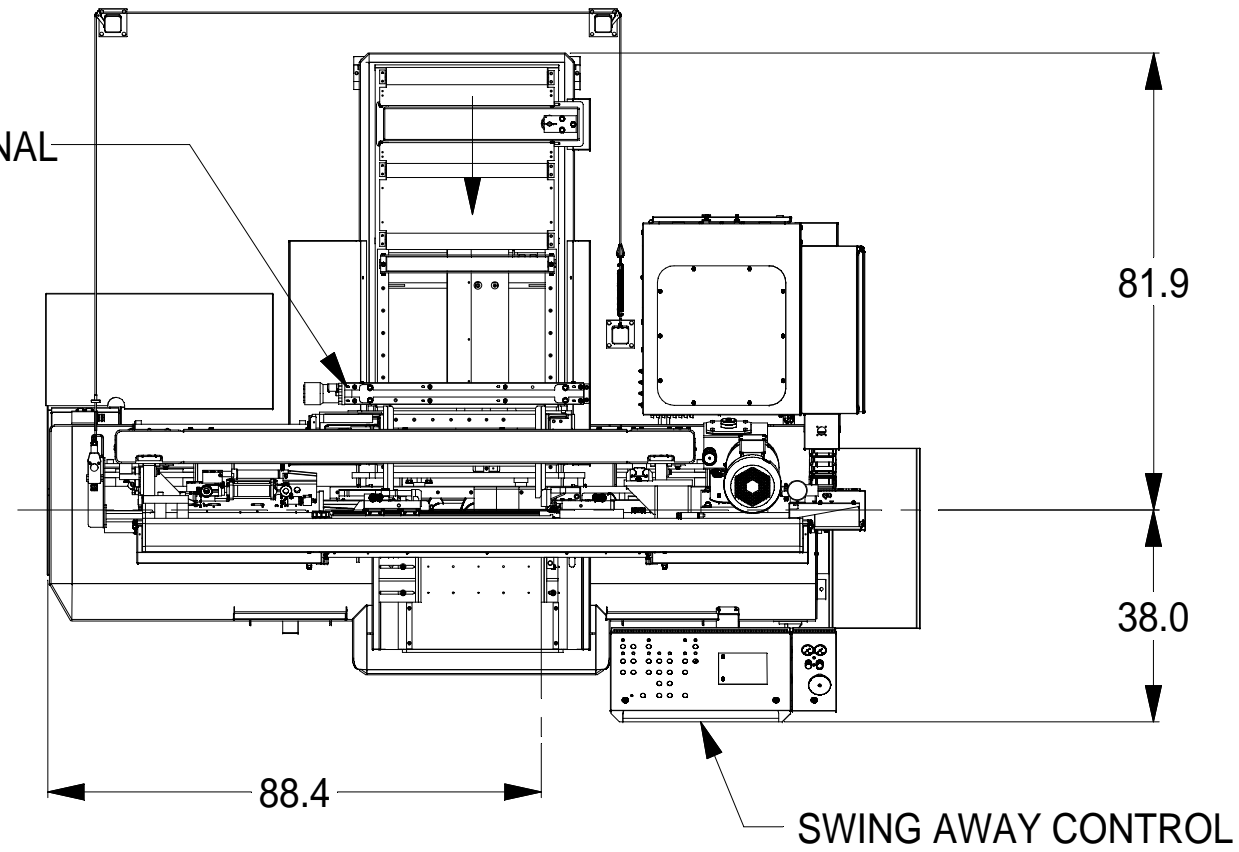


NOTE: HEM INC. WHOSE POLICY IS ONE OF CONTINUOUS IMPROVEMENTS,
 RESERVES THE RIGHT TO CHANGE SPECIFICATIONS, PRICE OR DESIGN
 AT ANY TIME WITHOUT NOTICE AND WITHOUT INCURRING OBLIGATIONS
 ALL DIMENSIONS +/- 1.00"

SHOWN WITH OPTIONAL
 TOP CLAMP



| |
|---|
| HEM , INC. MID-AMERICA INDUSTRIAL DISTRICT P.O. BOX 1148 PRYOR, OK 74361 |
| LAYOUT |
| DC22HA-CTS - 24" FHC |
| B-006516-722 A |