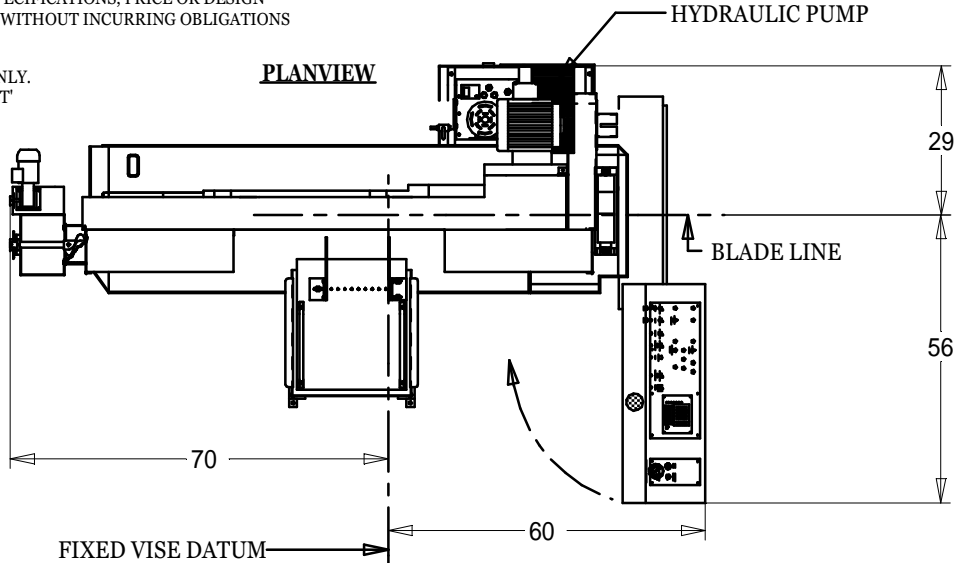


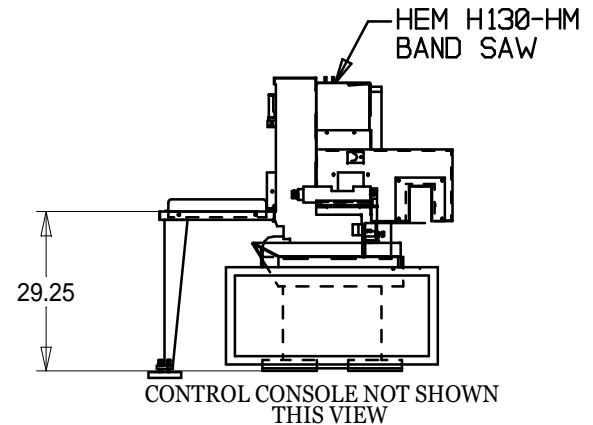
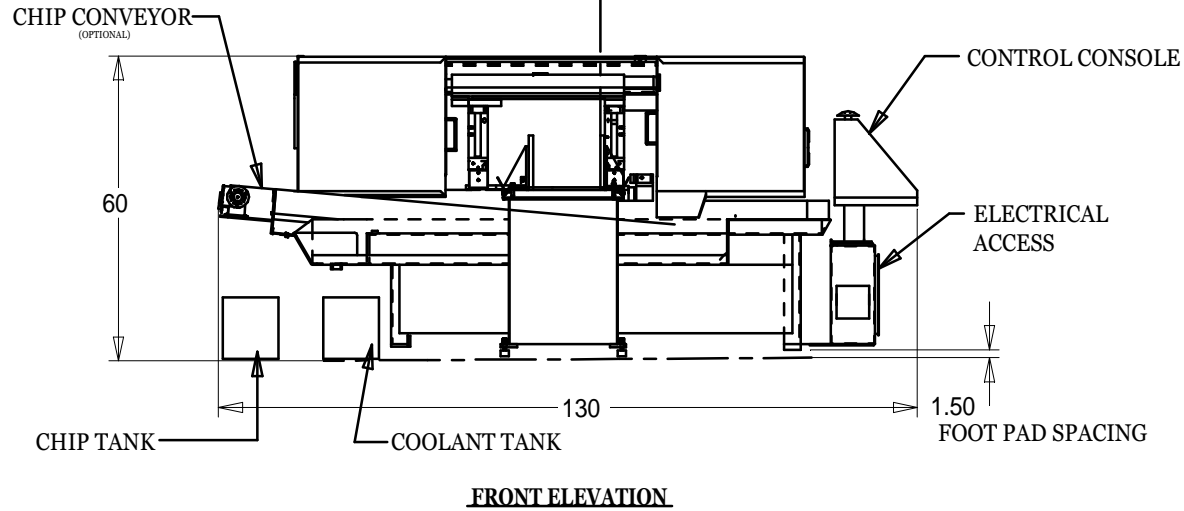
NOTE: HEM INC. WHOSE POLICY IS ONE OF CONTINUOUS IMPROVEMENTS, RESERVES THE RIGHT TO CHANGE SPECIFICATIONS, PRICE OR DESIGN AT ANY TIME WITHOUT NOTICE AND WITHOUT INCURRING OBLIGATIONS ALL DIMENSIONS +/- 1.00"

ALL DIMENSIONS ARE REFERENCE ONLY. VERIFY ALL DIMENSIONS TO 'AS BUILT' CONFIGURATION.

Document Produced by deskPDF Unregistered :: http://www.docudesk.com



MATERIAL FLOW



SIDE ELEVATION

HEM, INC.	
MID-AMERICA INDUSTRIAL DISTRICT	
P.O. BOX 1148 PRYOR, OK 74361	
H0014253	LAYOUT
H130-HM	
B-006516-522 B	