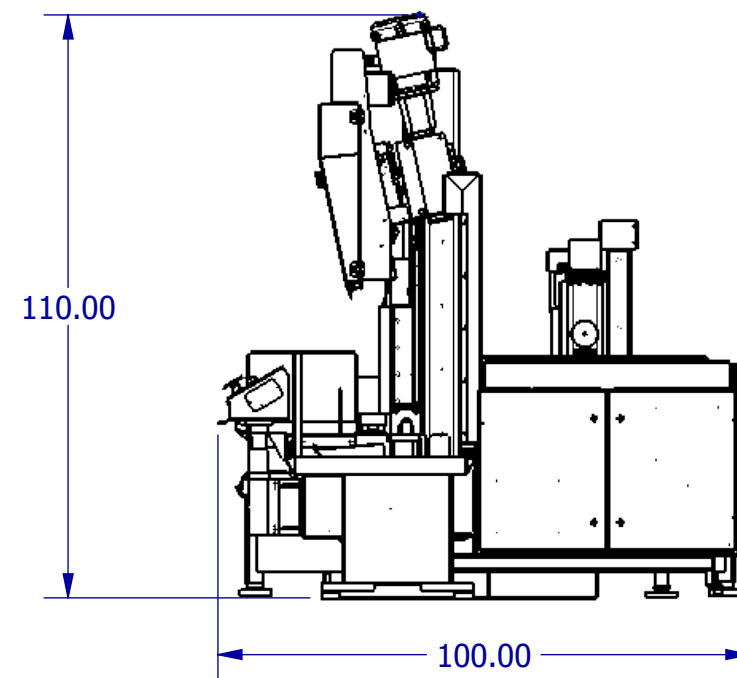
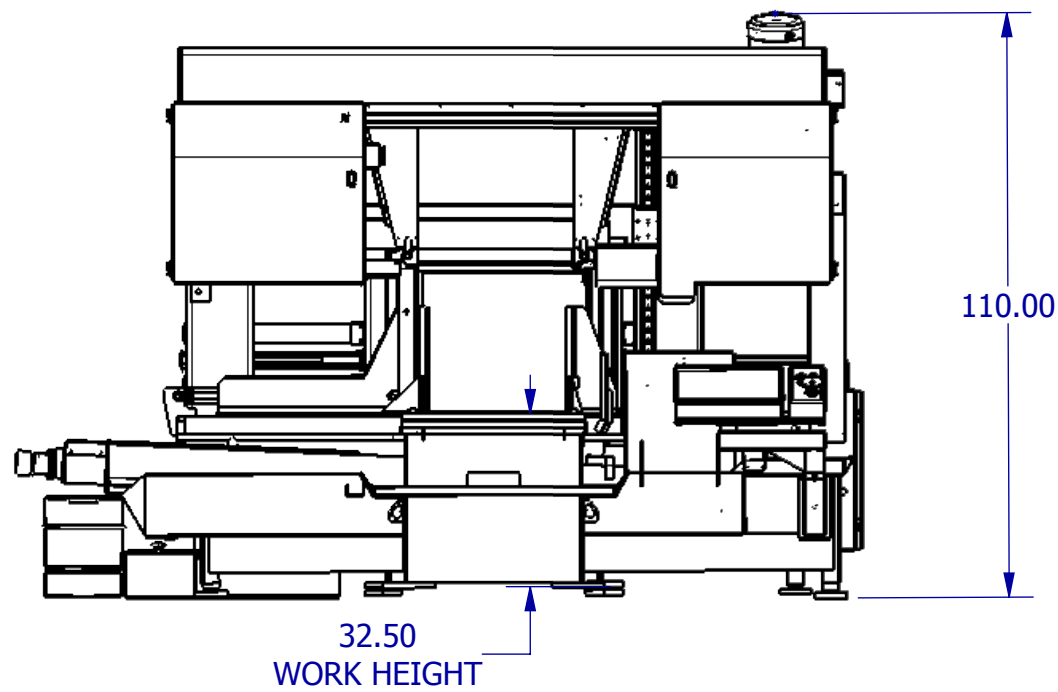
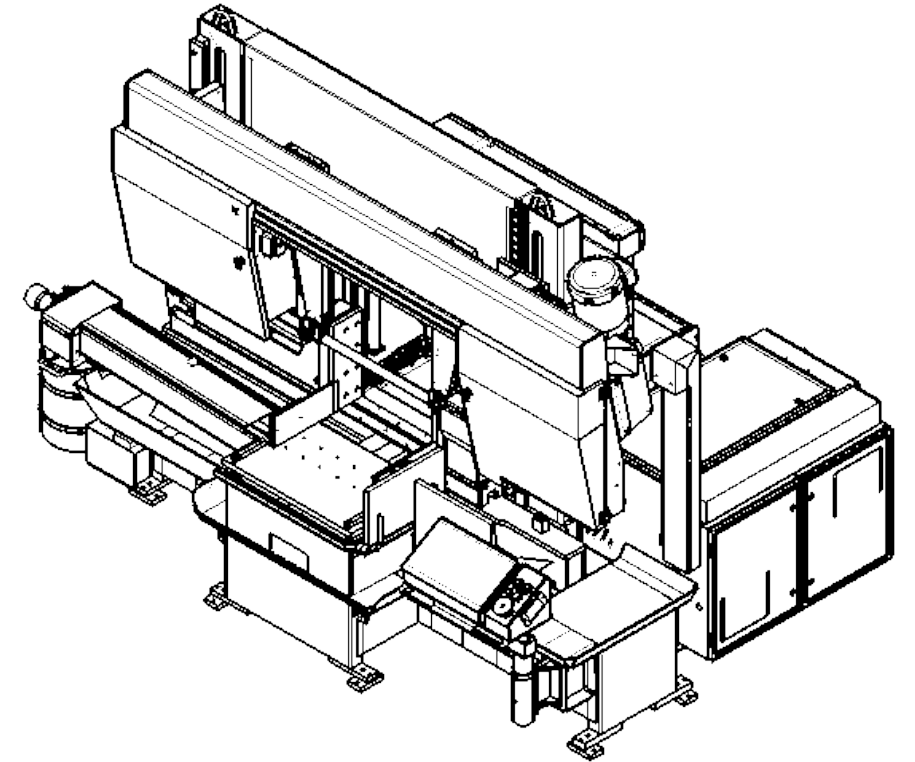
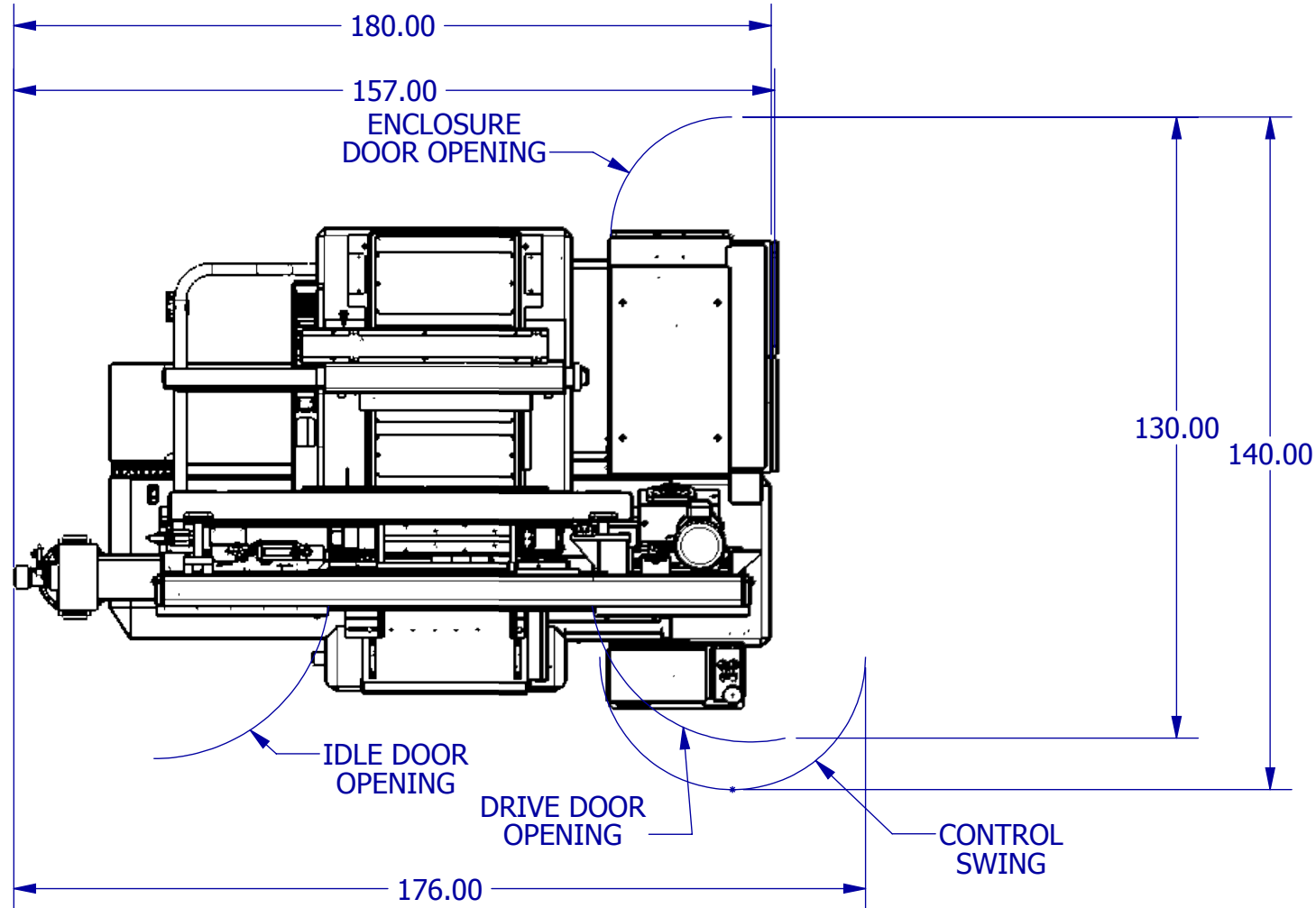


NOTE:

HEM INC. WHOSE POLICY IS ONE OF CONTINOUS IMPROVEMENTS,  
RESERVES THE RIGHT TO CHANGE SPECIFICATIONS, PRICE OR DESIGN  
AT ANY TIME WITHOUT NOTICE AND WITHOUT INCURRING OBLIGATIONS.  
ALL DIMENSIONS ARE  $\pm 1.00$ "



<b>HE&amp;M<sup>®</sup> SAW</b> HE&M, INC. MID-AMERICA INDUSTRIAL DISTRICT P.O. BOX 1148 PRYOR, OK. 74361
SAW ASSEMBLY H260
D-010135-081 A