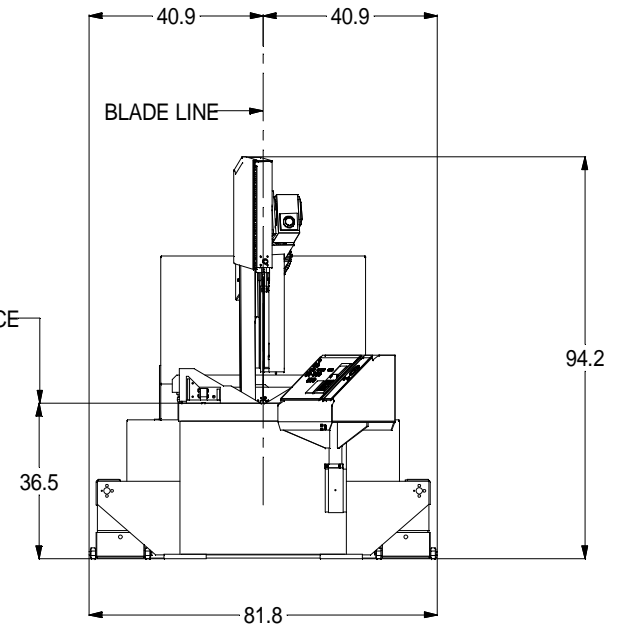
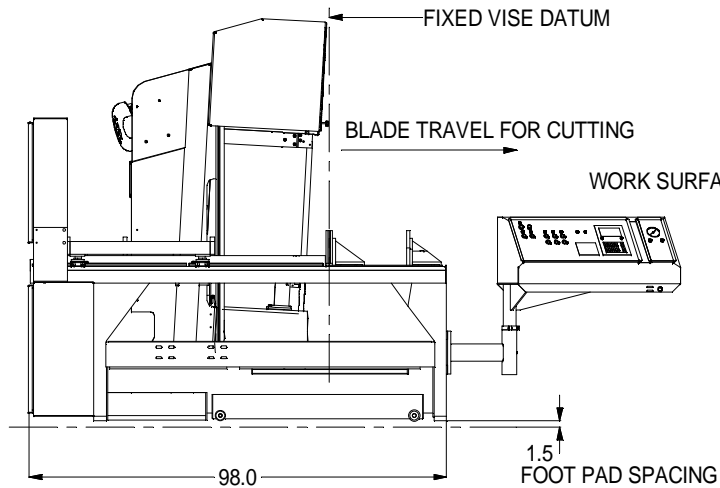
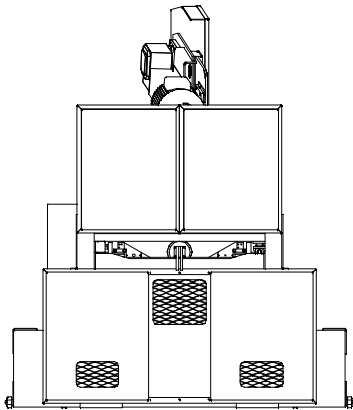
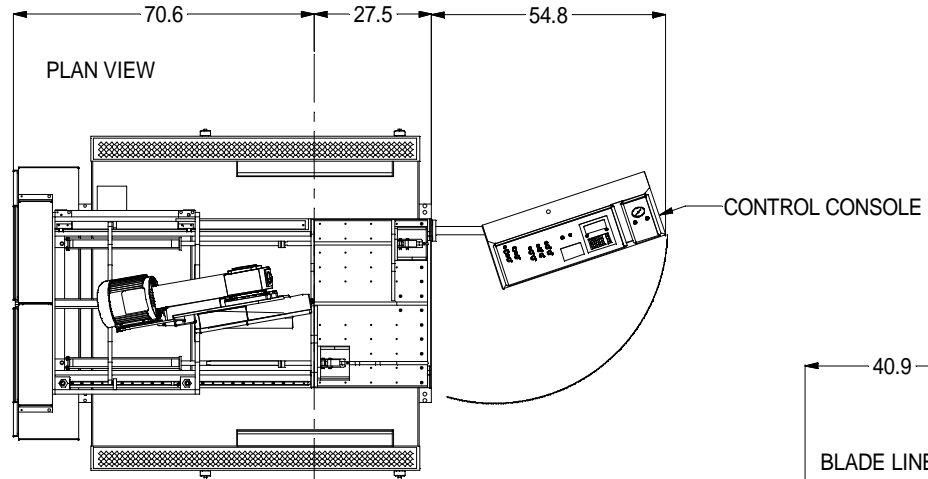


NOTE: HEM INC. WHOSE POLICY IS ONE OF CONTINUOUS IMPROVEMENTS, RESERVES THE RIGHT TO CHANGE SPECIFICATIONS, PRICE OR DESIGN AT ANY TIME WITHOUT NOTICE AND WITHOUT INCURRING OBLIGATIONS ALL DIMENSIONS +/- 1.00"

Document Produced by deskPDF Unregistered :: http://www.docudesk.com



<b>HEM</b> , INC.	
MID-AMERICA INDUSTRIAL DISTRICT	
P.O. BOX 1148 PRYOR, OK 74361	
H0014328	SHEET 1 OF 1
VT 120-60HM	
B-006516-525	A